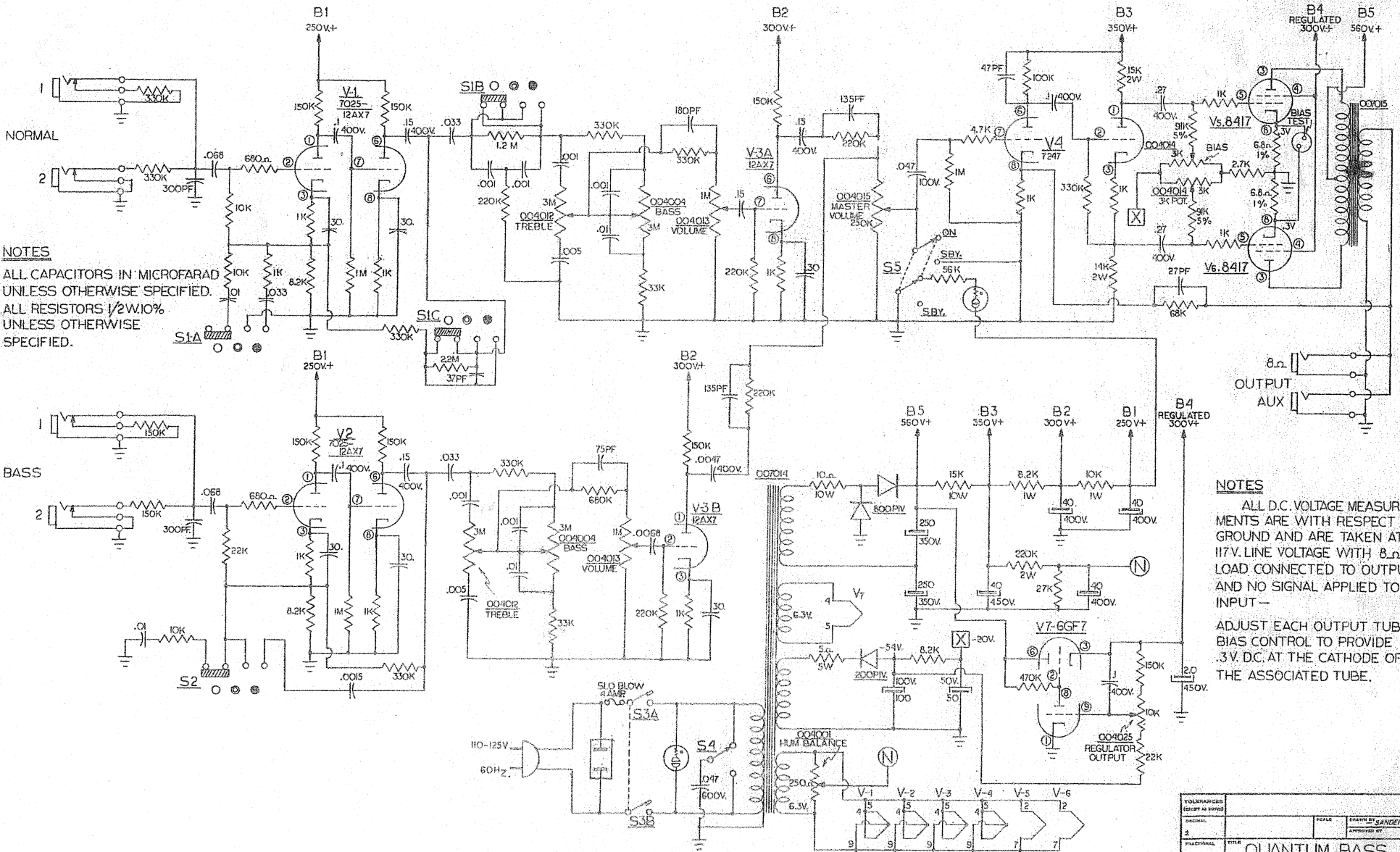


DATE	REVISED	BY	NO.



**NOTES**  
 ALL CAPACITORS IN MICROFARAD  
 UNLESS OTHERWISE SPECIFIED.  
 ALL RESISTORS 1/2W, 10%  
 UNLESS OTHERWISE  
 SPECIFIED.

**NOTES**  
 ALL D.C. VOLTAGE MEASURE-  
 MENTS ARE WITH RESPECT TO  
 GROUND AND ARE TAKEN AT  
 117V. LINE VOLTAGE WITH 8Ω  
 LOAD CONNECTED TO OUTPUT  
 AND NO SIGNAL APPLIED TO  
 INPUT -  
 ADJUST EACH OUTPUT TUBE  
 BIAS CONTROL TO PROVIDE  
 .3V. DC. AT THE CATHODE OF  
 THE ASSOCIATED TUBE.

VOLTMETER RANGE 0-100V	ORIGINAL	SCALE	DRAWN BY SANDERS -
			APPROVED BY
	TITLE	QUANTUM BASS	
	APPROVAL	DATE	DESIGNER NUMBER
		9-3-68	